

Dot Peen marking gun e-TOUCH EVO



The mark of quality



PORTABLE
ALL-IN-ONE

HIGH
PERFORMANCE

ECONOMIC



e-TOUCH EVO

Dot Peen marking gun

Competitive. Light. Portable.

The **e-TOUCH EVO** is an all-in-one portable touch screen marking machine that is economical, compact, and lightweight (2.2 kg).

This marking gun has **three interchangeable support surfaces** that can be changed without tools, allowing it to adapt to all marking configurations. Its tungsten carbide stylus ensures precise, reliable, and durable marking of your text, logos, or Datamatrix codes.

The touchscreen, which can be operated with or without gloves, allows you to create your marking files quickly and easily.

0A38 1340 83



Marking window:
60 x 25 mm

LED lighting

Integrated
programming
interface

Interchangeable
front face plate

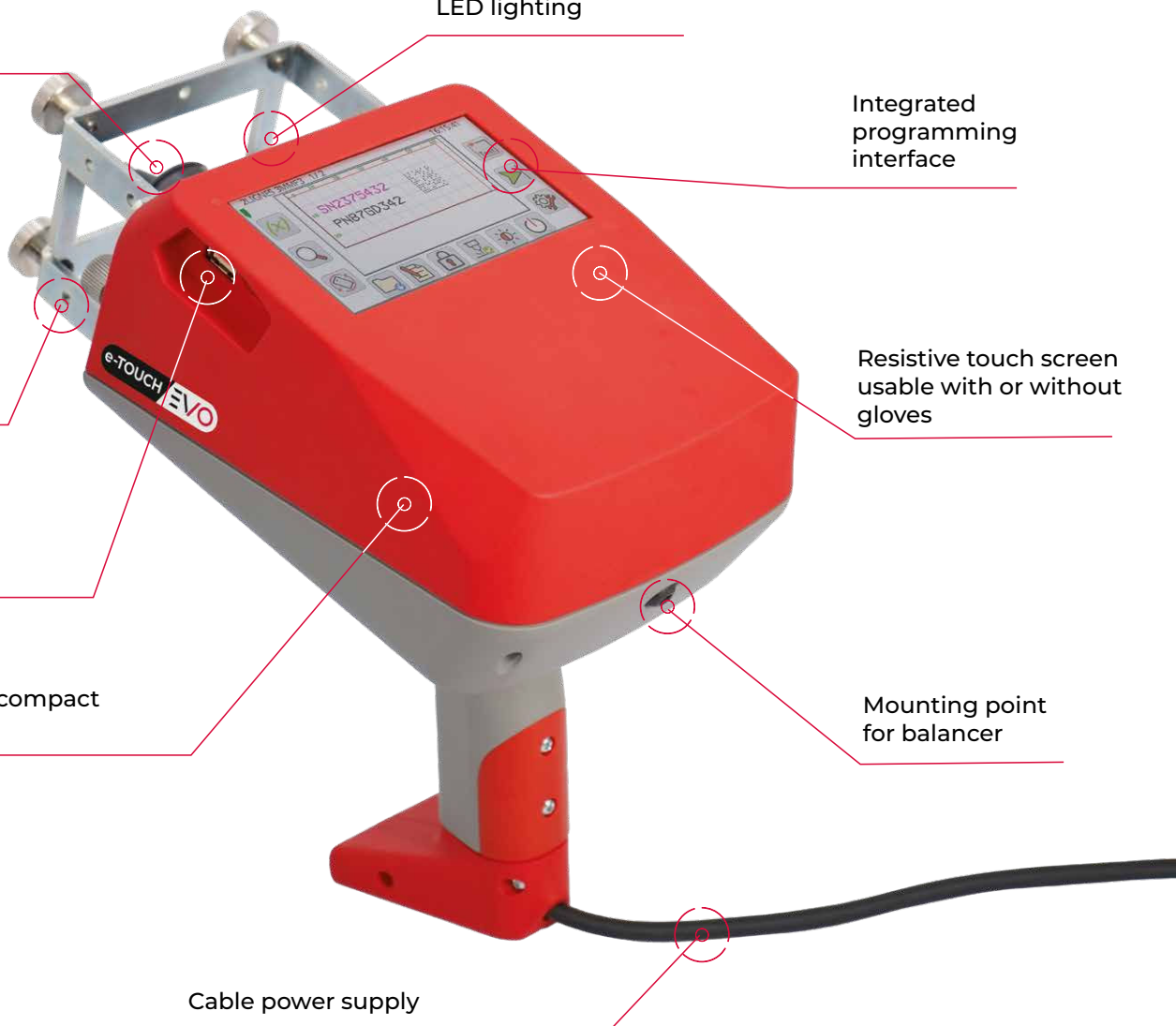
Resistive touch screen
usable with or without
gloves

USB connectors

Lightweight and compact
machine 2.2 kg

Mounting point
for balancer

Cable power supply



Ease of use and efficiency



Compact and lightweight all-in-one machine:

- Marking gun with touch screen
- Among the lightest on the market (2.2 kg), yet robust with reinforced internal design
- Complete package including a carrying case, maintenance kit, and power cable. Several accessories are also available as options



Mark your items easily and reliably

- Create your marking files directly on the e-TOUCH EVO or from your workstation using the FILE EDIT software
- Operator/supervisor mode allows critical settings to be locked
- Barcode reader mode allows the file and content to be selected automatically, eliminating the possibility of input errors
- History function with duplicate detection, alerting the user in case of repeated serial numbers



Highly versatile thanks to interchangeable support faces

Various front panels available*

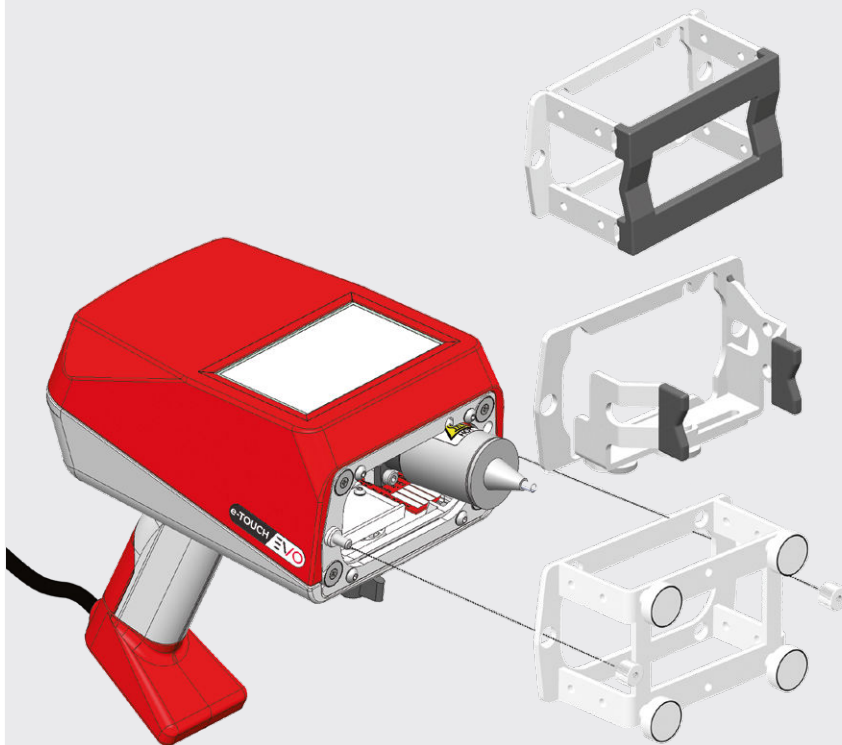
- Quick tool-free replacement
- Suitable for all part geometries (bulky, cylindrical, small surfaces)



1 Front panel with non-slip coating

2 Reduced and adjustable front panel

3 Magnetic front panel



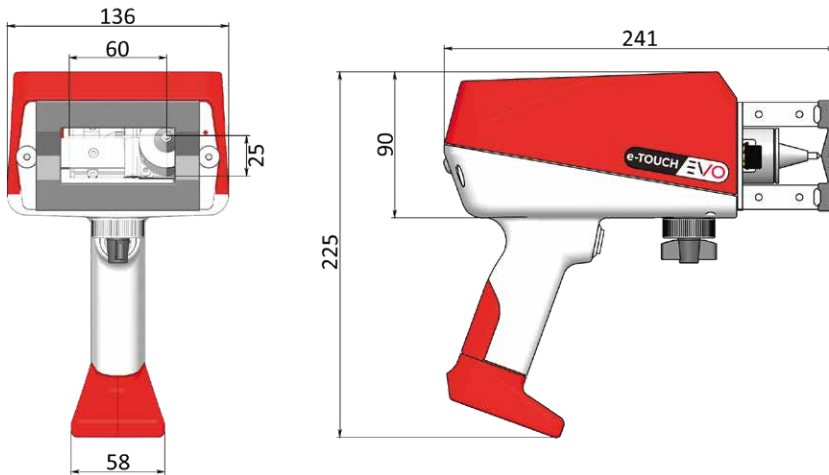
*Ability to design custom-made front panels



Technical specifications and accessories

Application examples

Technical datas :



*Example shown with standard front face plate

Power cable	5 meters
Screen	touch screen
Power	100 W
Marking window	60 x 25 mm
External dimensions	210 x 125 x 220 mm
Weight	2,2 kg
Stylus	Tungsten carbide
Memory space	Over 2,000 files

Available accessories:

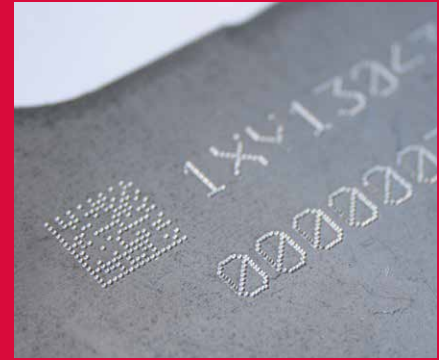
Barcode Reader



Column base



Interchangeable Front face plates



The 8 key SIC MARKING services



Personalized advice for the best choice of technology

Laser, micro-percussion or scribing? Our experts will help you identify the marking technology best suited for your requirements, thanks to our wide range of solutions.



Customized solutions tailored to your needs

We develop customized products that are perfectly adapted to your industrial processes and requirements.



Feasibility studies and technical tests

We carry out rigorous feasibility studies and tests to validate each stage of your project. Engineering tests are also available.



Complete training for your teams

Our specialists train your teams in the use of your equipment to ensure autonomous and effective control.



Assistance during commissioning

Our local teams are on hand to support you during the commissioning of your machine, facilitating smooth and rapid integration into your day-to-day operations.



Technical support and after-sales service

Responsive after-sales service and dedicated technical support members are at your side for assistance for the supply of spare parts and consumables.



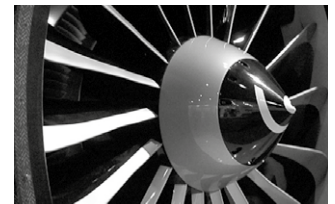
Retrofit solutions for sustainable performance

We offer customized retrofit solutions to extend the life of your machines: backward compatibility with updated components, complete modernization or equipment takeover.



Global support with local expertise

With 10 subsidiaries and a worldwide network of distributors, we offer global resources combined with local support to take charge of your projects from design to installation.



SIC MARKING Limited
Wedgnoek Industrial Estate,
Warwick, United Kingdom
+44 19 26 83 03 72

salesuk@sic-marking.com
<https://www.sic-marking.co.uk>

